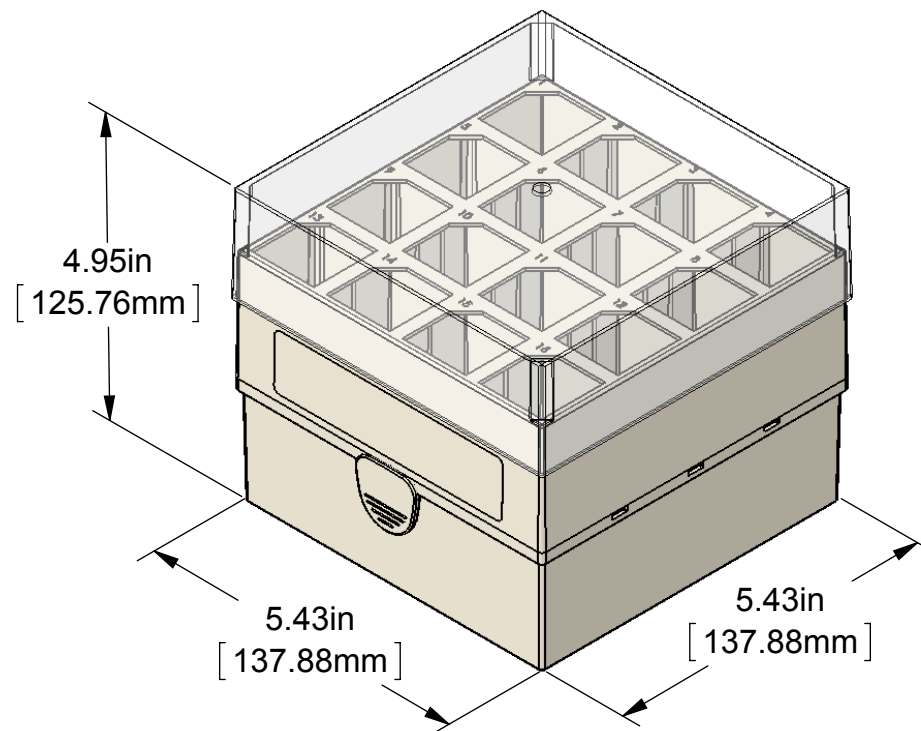


**50mL TUBE RACK
(OPENED)**



**50mL TUBE RACK
(CLOSED)**

UNLESS OTHERWISE SPECIFIED
DIMENSIONS ARE IN INCHES
TOLERANCES ARE:

FRACTIONS	DECIMALS	ANGLES
±1/64	.XX ± .01	± 0.1
	.XXX ± .001	
	.XXXX ± .0005	

SSI MATERIAL:

MANUFACTURERS MATERIAL:

FINISH

DO NOT SCALE DRAWING

CAD GENERATED DRAWING.
DO NOT MANUALLY UPDATE

APPROVALS DATE

DRAWN S.Gallagher 26SEPT13

CHECKED

RESP ENG

MFG ENG

QUAL ENG



1310 Thurman Street
Lodi CA, 95240

Ph: (209) 333-2120

Fx: (209) 333-8623

info@scientificspecialties.com

5580

50mL TUBE RACK, 16 PLACE

SIZE SHRINK RATE

A

SCALE 1:4

JOB NO.

REV. REL

SHEET 1 OF 1

PRINTED 10/15/2014